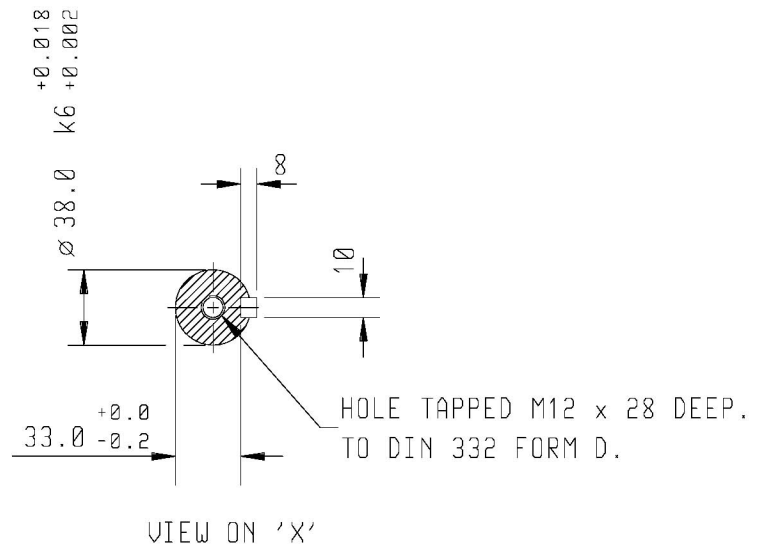
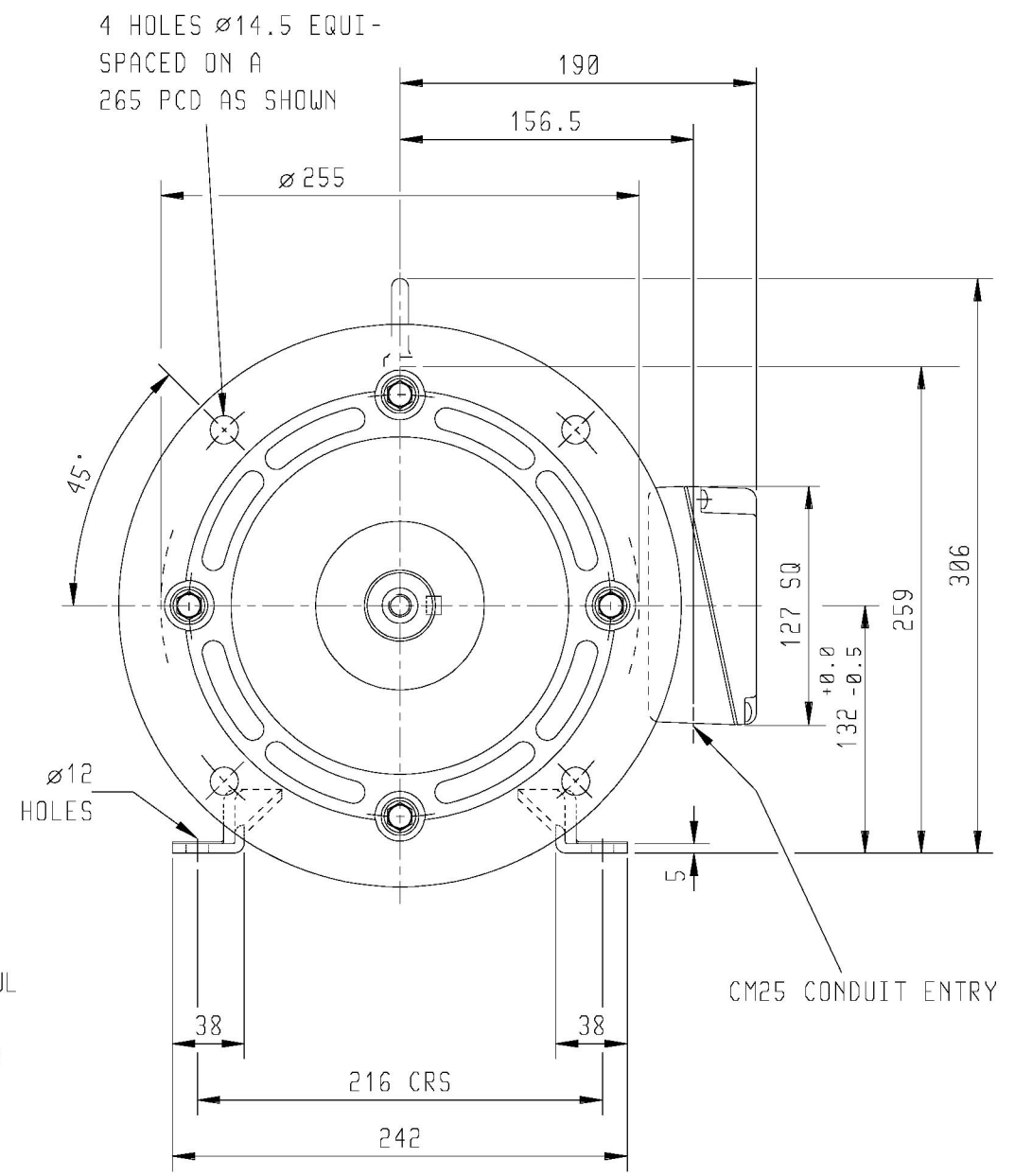
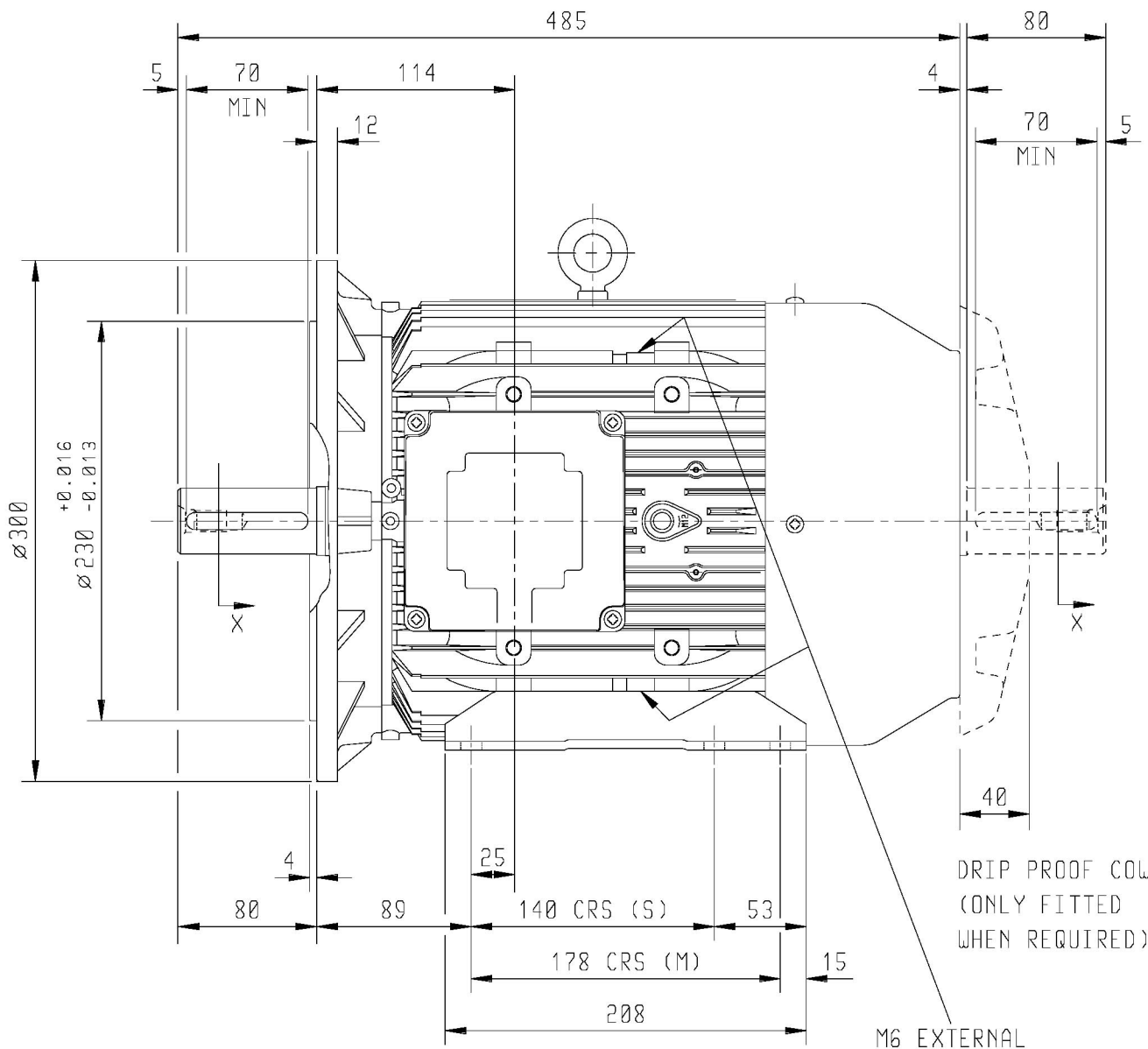


CUSTOMER		
ORDER No.		
PART No.		
OUR ORDER No.		
FRAME SIZE		
KW.	DE.	RPM.
Hz	DE.	PHASE
VOLTS	DE.	POLES
BRGS.	DE.	NDE.
MOTOR NETT WT.		Kg.
SPECIAL REMARKS		



DRIP PROOF COWL
 (ONLY FITTED
 WHEN REQUIRED)
 M6 EXTERNAL
 EARTH

TERMINAL BOX POSITION : - CAN BE ARRANGED AT EITHER 9, 12 OR 3 O'CLOCK BY MOVING FEET.
 STANDARD TERMINAL BOX POSITION IS 3 O'CLOCK AS SHOWN.
 CONDUIT ENTRIES:- TERMINAL BOX CAN BE ROTATED AT 90° INTERVALS
 (CONDUIT ENTRY POSITION SHOWN FOR ILLUSTRATION ONLY).

ALL DIMENSIONS IN MILLIMETRES.
 FIRST ANGLE
 PROJECTION

**BROOK
 CROMPTON**

SHEET SIZE A3	TITLE	NAME	DATE	DRG. No.
	OUTLINE DIMENSION DRAWING W ALUMINIUM TOTALLY ENCLOSED FAN COOLED			DRG. REF.
	132S/M FRAME FOOT AND 'D' FLANGE MOUNTED MOTOR			REVISION:
		SCALE	1 : 4	DATE